

T-Clamp mountings

Aluminium

SPECIFICATION

Types

- Type **A**: with bore
- Type **W**: with bolt

Aluminium

- matt, slide ground **MT**
- anodized, black **ELS**

Bolt (Type W)

Stainless Steel AISI 303

Socket cap screw DIN 912

Stainless Steel AISI 304

Grub screw DIN 913 (Type A)

Stainless Steel AISI 304

Grub screw DIN 915 (Type W)

Stainless Steel AISI 304

Clamping kits GN 511 (see page 1893)



INFORMATION

The T-Clamp mountings GN 476 (Type W) are an alternative to twistable two-way clamp mountings GN 475 (see page 1882) if high angular forces are required.

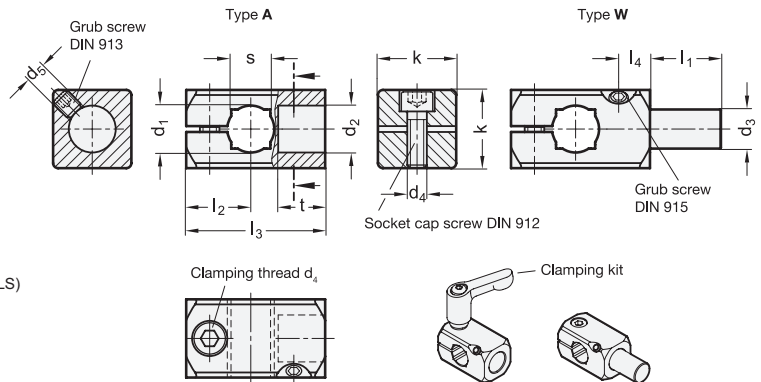
The standard version of the clamping screw at the clamping thread d_4 is a socket cap screw with hexagonal socket DIN 912. It can be replaced by an adjustable clamping lever GN 511 (see page 1893) (description see table of dimensions).

TECHNICAL INFORMATION

- Stainless Steel characteristics (see page A26)

ACCESSORY

- Clamping kits GN 511 (see page 1893)



* Complete with Finish of the T-Clamp mountings (MT or ELS)

| MT | ELS |
|--------------------|-----------------|
| matt, slide ground | anodized, black |

GN 476

| Description | d1 For shaft tolerance h11 | d2 | d3 | k | d4 | d5 | l1 | l2 | l3 | l4 | t | s | Clamping kits for d4 | |
|--------------------|----------------------------|------|----|----|-----|-----|----|------|------|-----|----|----|----------------------|-----|
| GN 476-B8-B8-A-* | B 8 | B 8 | - | 16 | M 4 | M 4 | 16 | 13 | 26 | 5.5 | 8 | - | GN 511-M4-16 | 20 |
| GN 476-B10-B10-A-* | B 10 | B 10 | - | 20 | M 5 | M 5 | 17 | 15.5 | 31.5 | 7 | 10 | 8 | GN 511-M5-20 | 28 |
| GN 476-B12-B12-A-* | B 12 | B 12 | - | 20 | M 5 | M 5 | 19 | 16.5 | 35.5 | 8 | 12 | 10 | GN 511-M5-20 | 28 |
| GN 476-B15-B15-A-* | B 15 | B 15 | - | 25 | M 6 | M 6 | 21 | 20 | 43.5 | 10 | 15 | 12 | GN 511-M6-25 | 54 |
| GN 476-B16-B16-A-* | B 16 | B 16 | - | 25 | M 6 | M 6 | 24 | 20 | 45 | 11 | 16 | - | GN 511-M6-25 | 54 |
| GN 476-B20-B20-A-* | B 20 | B 20 | - | 30 | M 6 | M 6 | 26 | 22 | 51 | 12 | 18 | 16 | GN 511-M6-30 | 80 |
| GN 476-B8-8-W-* | B 8 | - | 8 | 16 | M 4 | M 4 | 16 | 13 | 26 | 5.5 | 8 | - | GN 511-M4-16 | 25 |
| GN 476-B10-10-W-* | B 10 | - | 10 | 20 | M 5 | M 5 | 17 | 15.5 | 31.5 | 7 | 10 | 8 | GN 511-M5-20 | 45 |
| GN 476-B12-12-W-* | B 12 | - | 12 | 20 | M 5 | M 5 | 19 | 16.5 | 35.5 | 8 | 12 | 10 | GN 511-M5-20 | 57 |
| GN 476-B15-15-W-* | B 15 | - | 15 | 25 | M 6 | M 6 | 21 | 20 | 43.5 | 10 | 15 | 12 | GN 511-M6-25 | 103 |
| GN 476-B16-16-W-* | B 16 | - | 16 | 25 | M 6 | M 6 | 24 | 20 | 45 | 11 | 16 | - | GN 511-M6-25 | 120 |
| GN 476-B20-20-W-* | B 20 | - | 20 | 30 | M 6 | M 6 | 26 | 22 | 51 | 12 | 18 | 16 | GN 511-M6-30 | 191 |

Weight ELS

